



## Rocker Arm Type S.S.Multi-cartridges Filter Housings



## General Description

Fucome Rocker Arm Type S.S.Multi-cartridges Filter Housings are specially designed for large flow rate filtration process which volume from 13 units to 150 units water filter cartridges. Multi-cartridges filter housings are constructed with high strength stainless steel top bolt lock, rotating arm transnational open structure ensure filter cartridges changed handling out quick, easy and safe. It could accommodate to different end cap styles of filter cartridges, providing economic and efficient alternatives of filtration processes.

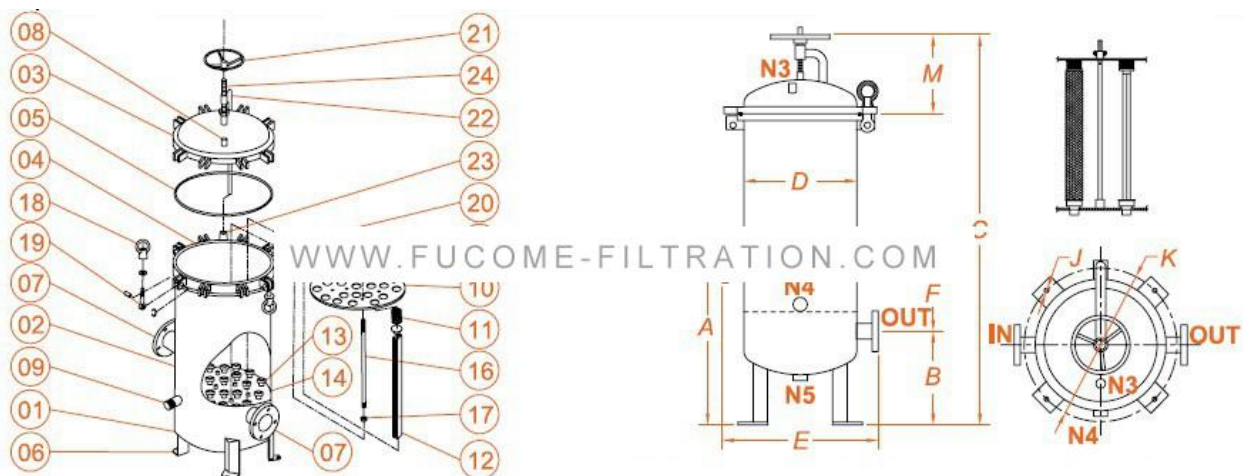
## Typical Applications

Pre RO	Chemicals	Electronics
Food & Beverage	Cooling Water Filtration	Household Water Filtration

## Product Features

- Multi-cartridges Filter Housings are made of high quality SUS304.SUS316 or steel lining rubber
- Accept customize for different requirements,up to load in 150 units water filters in housing,high flow rate and excellent filtration efficiency
- The housing body open adopt the high strength stainless steel ring bolt locking,rotating arm opening structure, convenient to open and maintenance
- The filter housings are suitable to load in filter cartridges with different end caps,each cartridge have locating hole and guide bar,easier replace the filters
- Filter seal with stainless steel spring pressing cap,up and down, inside and outside are positioned,to ensure the filter without shaking and side leakage under the high pressure of liquid

## Structure Details



## Components

No.	Description	Qty	No.	Description	Qty	No.	Description	QTY
01	End Plate	1	9	Drain	1	17	Round Nut	3~8
02	Shell	1	10	Cartridge Squeeze Plate	1	18	Eye Nut	8~32
03	Top Cover of Bowl	1	11	Spring	13~173	19	Eye Bolt	8~32
04	Flange	1	12	Cartridge Aligning Rod	13~173	20	Eye Bolt Socket	8~32
05	O-ring	1	13	Cartridge Bowl	13~173	21	Turntable	1
06	Leg Support	4	14	Cartridge Support Plate	1	22	Davit Lifter	1
07	Port ( Inlet / Outlet )	2	15	Nut	3~8	23	Bearing	1
08	Vent	1	16	Screw Stay	3~8	24	Screw	1

## Specifications

Maximum Operating Temperature	75°C (167°F) (Base on selection of filter cartridge and O-ring material.)
Maximum Operating Pressure	10 bar at 75°C (150 psi at 167°F)

S.S. Cartridge Filter Housing Materials	SUS304,SUS316,Stell Lining Rubber
Sealing Materials	Standard configuration is silicon,also have Buna-N rubber,silicon,fluoro rubber
Connector Types	GB,HG,DIN,ANSI,JIS standard flange or screw,Fast loading clamp etc.
Surface treatment	Inferior smooth jet beads, mirror polish,electrochemical polishing
Sealing Types	O-Ring and gasket
Filtration rating	0.1µm ~ 200 µm
Matched end caps of cartridge filter	DOE,thread types,222,226/fin/flat

## Order Guide

RAFH	Filter Length	Material of Construction	Number of Cartridge	Connection	Inlet/Outlet Size (inch)	O-ring Option	Filter End Cap	Option
Rocker Arm Type S.S.Multi-cartridges Filter Housings	20:20"	4:SUS304	13:13pcs	P:PTF	1:1"	E:EPDM	2 : Flat Gasket Double Open Ends & 2-222 O-ring Fin/Flat	P :All Polish
				N:NPTF	1.5:1.5"			
	30:30"	6:SUS316	14:14pcs	B:BSPF	2:2"	V:Viton	7:No Bayonet 2-226 O-ring Fin/Flat	IP :Inside Polish
				J:JIS Flange	4:4"			
	40:40"	7:SUS316L	15:15pcs   173:173pcs	A: ANSI Flange	10:10"	T: Teflon encapsulated Viton	9: 2-226 O-ring Fin/Flat	OP :Outside Polish
				D: DIN Flange	15:15"			A :Polymer Coating
			C: Sanitary Clamp				Q :Painting	

For Example:

--RAFH-40-4-15-N-1-E-2-P

--Rocker Arm Type S.S.Multi-cartridges Filter Housings-40"-SUS304-15pcs-NPTF-1"-EPDM-Flat Gasket Double Open Ends & 2-222 O-ring Fin/Flat - All Polish

## Fucome DNA

- Good reputation with reliable service
- Superior filter media with reasonable price
- Advanced technique with leading design
- Strict quality control with timely delivery

## Partners



**Fucome Filtration Co., Ltd.**

**www.fucome-filtration.com**

**Tel: +86-752-8491916 , Fax: +86-752-2203183**

**E-mail: [vincent@fucome-filtration.com](mailto:vincent@fucome-filtration.com) , [info@fucome-filtration.com](mailto:info@fucome-filtration.com)**

**Address: No.9 Ban zhang hu 1st Road, Henan'an, Huicheng District, Huizhou,  
Guangdong, China P.C. 516001**